



Connecta Single Bowl Sink Units
Assembly Instructions

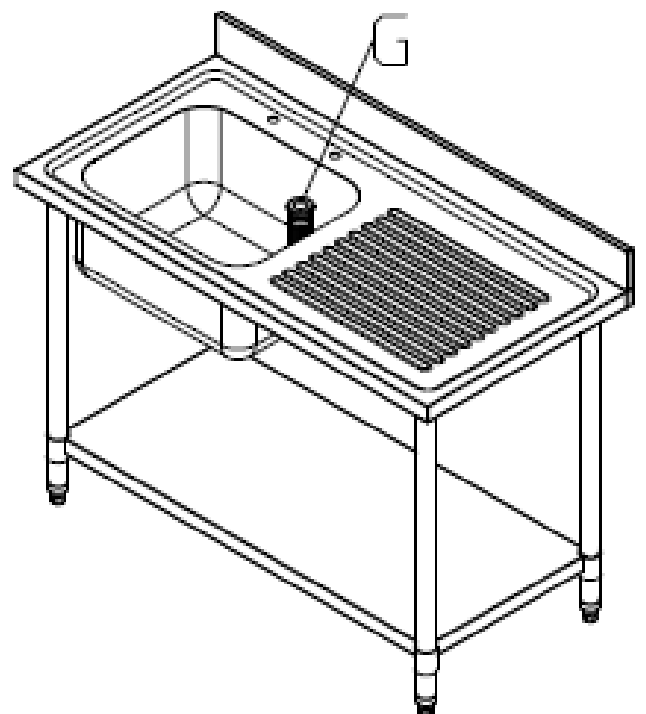
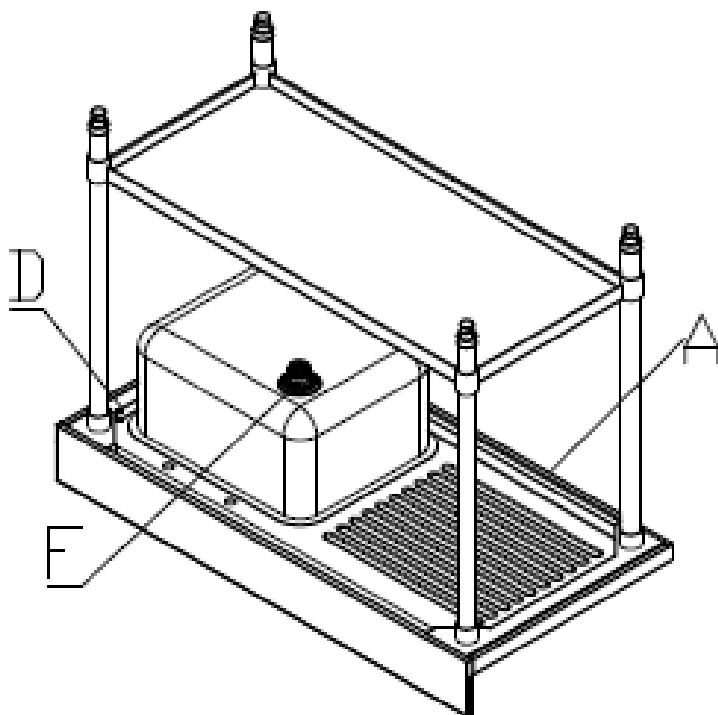
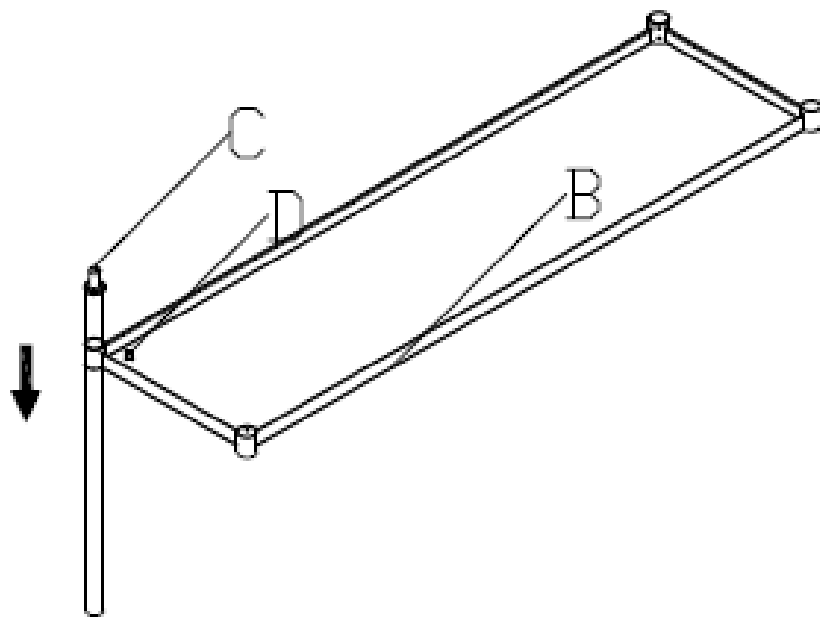
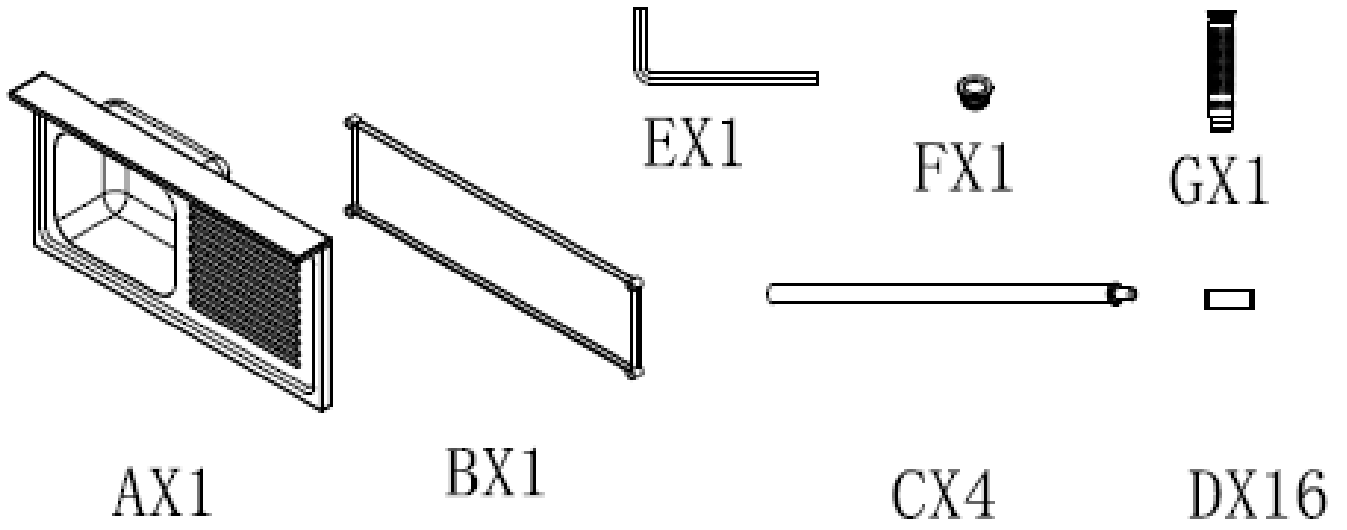
Models

HEF721 – Left Hand Bowl/Right Hand Drainer 1000x600x900

HEF656 – Left Hand Bowl/Right Hand Drainer 1200x600x900

HEF722 – Right Hand Bowl/Left Hand Drainer 1000x600x900

HEF657 – Right Hand Bowl/Left Hand Drainer 1200x600x900



Safety Tips

- Whilst all care has been taken to remove sharp edges, care must be taken when cleaning or handling the sink to prevent risk of injury from exposed metal edges.
- Do not overload the sink top or shelf this may cause it to bend.

Pack Contains

- 1x Stainless steel Sink top shelf (A)
- 1x Galvanised steel undershelf (B)
- 4x Galvanised Steel Legs (C)
- 16 x Screws (D)
- 1x Allen key (E)
- 1x Waste Fitting (F)
- 1x Standpipe (G)

Assembly

Note: Be sure to check all packaging materials for any small parts that may have come loose during transportation

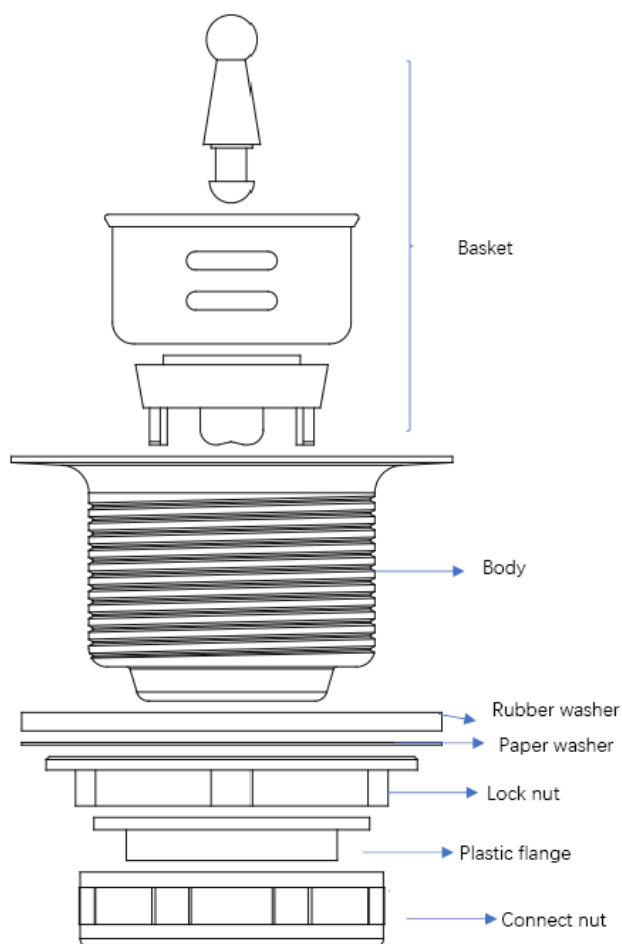
1. Remove all packaging including all protective packing material from top shelf, legs and undershelf, taking care to avoid scratching the surfaces.
2. Place the sink face down on the floor [A]
3. Position the corner sockets of the undershelf over the four legs and lower the shelf approximately 25 cm (As per your required height) down the legs.

Note: The legs are marked at 25 cm (or your required height) to help position the undershelf in a level position.

4. Hold the shelf in position and insert the grub screws to loosely secure the shelf to each of the legs.

Note: Leaving the grub screws loose allows for adjustments to sink shelf and legs.

5. Insert the legs with shelf into the sockets situated at each corner of the sink (top shelf)
6. Adjust the shelf and legs so that they are level (use a spirit level if required)
7. Tighten all the grub screws.
8. Stand the sink upright and remove the remaining protective film.
9. If necessary, adjust the feet to level the sink.
10. Place the fully-assembled waste fitting into the drainage hole, then attach the rest of the parts and fit together. (please refer to waste fitting instruction below)
11. When you put the standpipes into the waste fitting, please take out the basket part of waste fitting first.



Waste Fitting Assembly:

1. Put basket and body into sink table bowl hole.
2. Install in the following order: Rubber washer, paper washer, then fit lock nut, tighten these parts under the sink table bowl hole.
3. Add the plastic flange after fitting the lock nut then fit the connecting nut under the plastic flange, and tighten it.

Before using for the first time recommend the table is cleaned thoroughly with a suitable cleaning agent, remove all cleaning residues and dry thoroughly.

Cleaning & Maintenance

- Clean the sink regularly using a cleaning agent suitable for use with stainless steel.
- Always remove cleaning agent residue, this can discolour the surface of the shelf.
- Never leave the shelf surface damp as this can cause discolouration.